

# ARCHITECTURAL SUN CONTROL



# HOME OF OXYGEN

DUCO Ventilation & Sun Control provides every building with a healthy supply of oxygen. With a comprehensive range of innovative natural and mechanical ventilation systems, either combined with external solar shading or otherwise, DUCO offers the ultimate guarantee of a healthy and comfortable indoor climate. The occupant's health is,

therefore, central to DUCO. A well-thought-out combination of basic ventilation, mechanical extraction, purge ventilation and solar shading ensures optimum air quality. DUCO provides an innovative solution for residential buildings, offices, schools or care centres where everyone feels at home.

**DUCO, Home of Oxygen**

**DUCO**

**GENERAL** ..... **4**

**PRODUCTS** ..... **6**

**DUCOSUN**

General information ..... 6  
DucoSun C / CF / D Systems ..... 9  
DucoSun 100 C / 100 D ..... 10  
DucoSun 150 CF / 150 D ..... 12  
DucoSun Ellips ..... 16  
DucoSun Cubic ..... 20  
DucoSun Linear ..... 22  
DucoSun Wing ..... 26  
Span tables ..... 28

**DUCOSLIDE**

General information ..... 34  
DucoSlide systems ..... 35  
DucoSlide LuxFrame 40/40 ..... 38  
DucoSlide LuxFrame 40/80 & 45/130 ..... 40  
DucoSlide SlimFrame 5/40 & 5/80 ..... 44

**SERVICE** ..... **47**

**DISCLAIMER**  
Illustrations in this catalogue may differ from the actual product. Printing errors and/or changes excepted. DUCO reserves the right to amend this information at any time. The information stated is valid as at 25.04.2024 and may be subject to changes in legislation.





## DucoSlide LuxFrame

Badhuisstraat | Scheveningen (Netherlands)



## ARCHITECTURAL SOLAR SHADING: FUNCTIONAL AND AESTHETIC

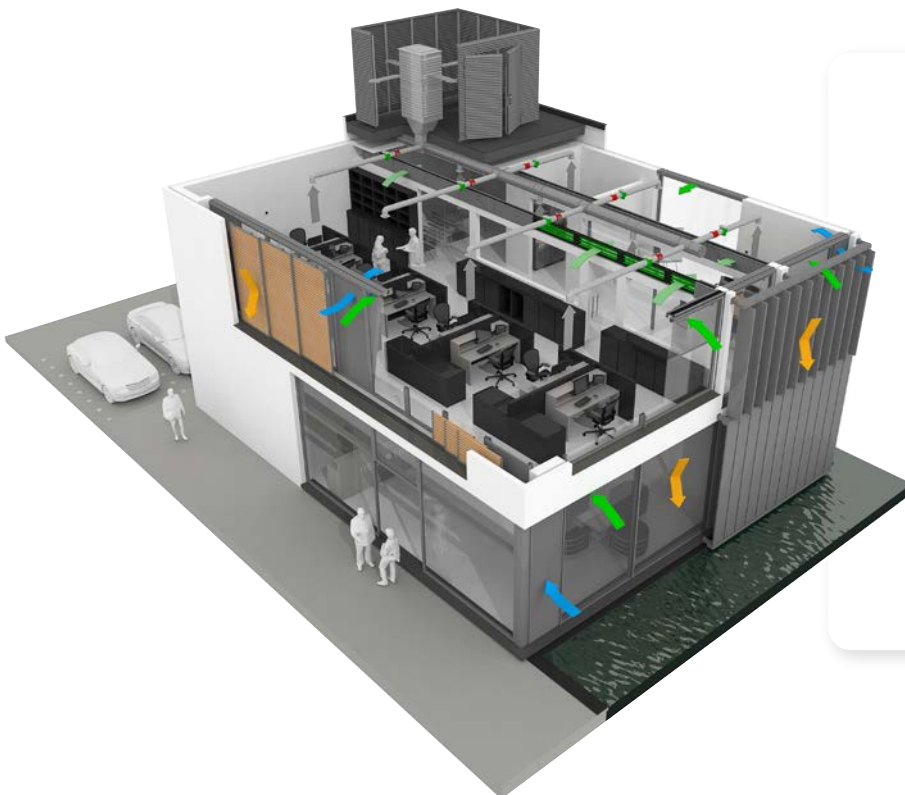
Now that we are making buildings even more airtight, using thicker insulation materials and the number of hot days is increasing noticeably every year, the search for alternatives to keep indoor temperatures under control is more than ever a 'hot topic'. Do you want to counteract the warming of your building as much as possible in a natural and energy-efficient way, and preferably as aesthetically as possible?

Forget white roofs, sunproof glazing or (roller) blinds, and choose architectural solar shading – in combination with purge ventilation – to guarantee the best result. Thanks to DUCO's extensive range of fixed and movable louvre blades, discrete and striking designs, plus horizontal and vertical lines, any project will always come to its own, both functionally and aesthetically.

Indeed, DUCO's external solar shading systems not only give the façade a unique touch, they also provide efficient screening from the sun rays and maintain the view outside, while preserving daylight and privacy. The result? A reduction in the cooling load of up to 63% and a significant drop in temperature. Architectural solar shading is therefore an excellent investment that will quickly pay for itself!

TEMPERATURE  
DROP  
UP TO 12%

COOLING LOAD  
DROP  
UP TO 63%



### → Complete solutions

Together with natural day-time ventilation and intensive (night-time) ventilation, architectural solar shading systems are a key component of the complete DUCO concept, which embrace both residential and non-residential buildings. This always creates an optimum living environment. See our brochures for more information.

# DUCOSUN

## STRUCTURAL SOLAR SHADING

With DUCO's solar shading, there are numerous options. There are systems with fixed and adjustable louvre blades, discrete and striking designs, and horizontal and vertical lines.

Your ultimate choice of solar shading system will depend on your available budget and the technical possibilities, and of course on your personal taste. But whatever system you choose: DUCO guarantees an optimum balance between as little heat from the sun as possible and as much daylight as possible, without colour-changing effects.

### → DucoSun C / CF / D

External solar shading systems in which the aluminium louvre blades are locked into place on plastic blade holders. The louvre holders are first secured to the aluminium support section using DUCO's patented Slide-Click system. Choose from three different types of louvre blade: C, CF or D.

#### Material

- > **Aluminium:** EN AW – 6063 T66
- > **Surface treatment:**  
Anodised in natural as standard (15-20 µm) (VB6/A20/VOM1)  
Enamelled polyester powder coating (60-80 µm)
- > **Plastic parts:**  
Polyamide, glass fibre-reinforced, UV colourfast



100C louvre blade



150CF louvre blade



100D louvre blade



150D louvre blade

Ellips louvre blade



Cubic louvre blade



Linear louvre blade



Wing louvre blade



### → DucoSun Ellips / Cubic / Linear / Wing

External solar shading systems in which the aluminium louvre blades are mounted on the support structure so as to be fixed or adjustable. The sleek lines of the blades create a particularly attractive result. Choose from four different types of louvre blade: Ellips, Cubic, Linear and Wing.

#### Material

- > **Aluminium:** EN AW – 6063 T66
- > **Surface treatment:**  
Anodised in natural as standard (15-20 µm) (VB6/A20/VOM1)  
Enamelled polyester powder coating (60-80 µm)



## INSTALLING THE SYSTEMS

### → Horizontally

Horizontally installed solar shading systems keep the heat out at warmer times of the year (May-September), while allowing the heat from the low sun in during the colder months (October-April). This ensures optimum energy gain.



### → Vertically

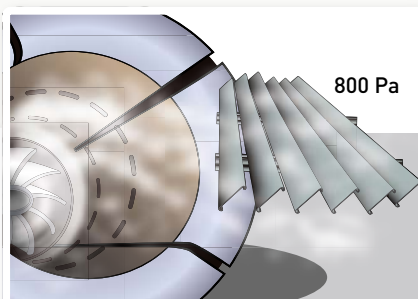
Vertically installed solar shading systems offer maximum privacy while maintaining the view outside. With vertically installed solar shading systems the room can be darkened.

With vertically installed systems of the types DucoSun Ellips, DucoSun Cubic and DucoSun Linear, the louvre blades can be fitted both horizontally and vertically.

## TESTING STRENGTH

The strength of external solar shading systems can best be determined with wind tunnel tests, which generate maximum air flows. DUCO has its solar shading systems tested at the von Karman Institute in Brussels, a leading international independent organisation for high-tech research into fluid dynamics.

All the DucoSun systems in this brochure have been tested in DUCO's laboratory and at the von Karman Institute. DUCO also developed software for producing strength calculations.



### → Finish

Each type of solar shading is available in any colour: **SAA, every RAL colour, textured paint, special paints/lacquers, etc.** Every type of solar shading is lacquered as standard in **SeaSide** grade. In addition, every type of solar shading in this folder complies with the **Qualicoat** and **Qualanod** quality specifications.





## DucoSun 100C

Cegelec | Zwijndrecht (Belgium)



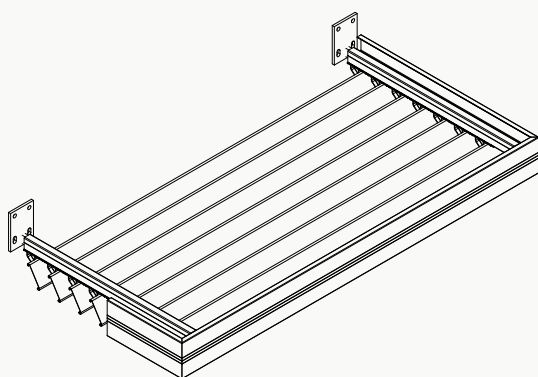
# DUCOSUN C / CF / D SYSTEMS

External solar shading systems in which the aluminium louvre blades are locked into place on plastic blade holders. The louvre holders are first secured to the aluminium

support section using DUCO's patented **Slide-Click system**. Choose from three different types of louvre blade: C, CF or D.

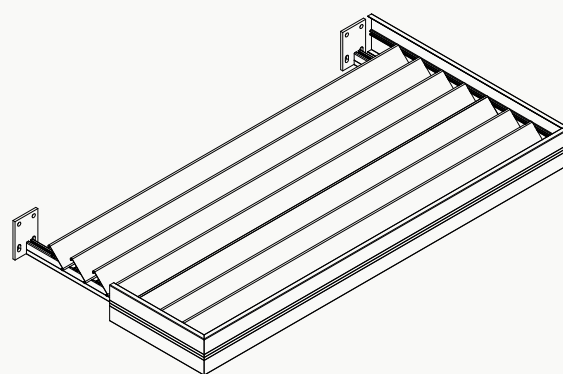
## Underslung

Fitting: Blades below the support profiles



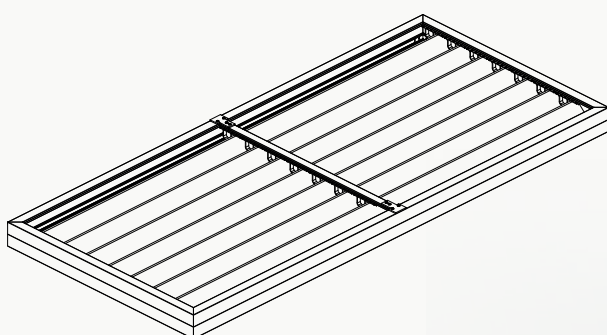
## Overslung

Fitting: Blades above the support profiles



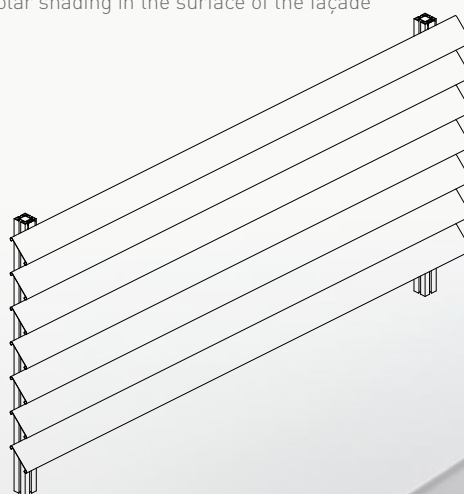
## Framed

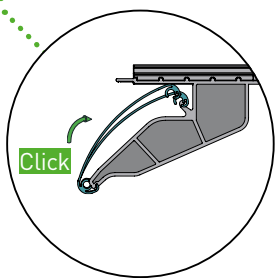
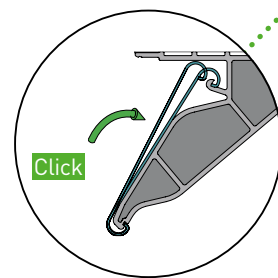
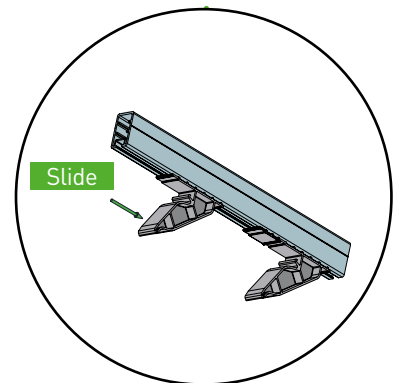
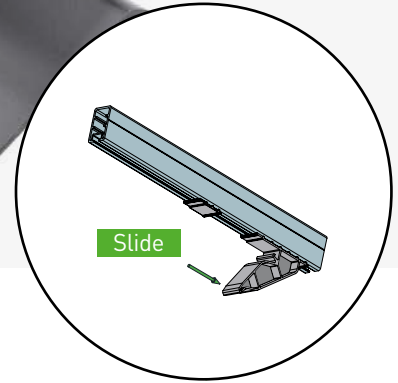
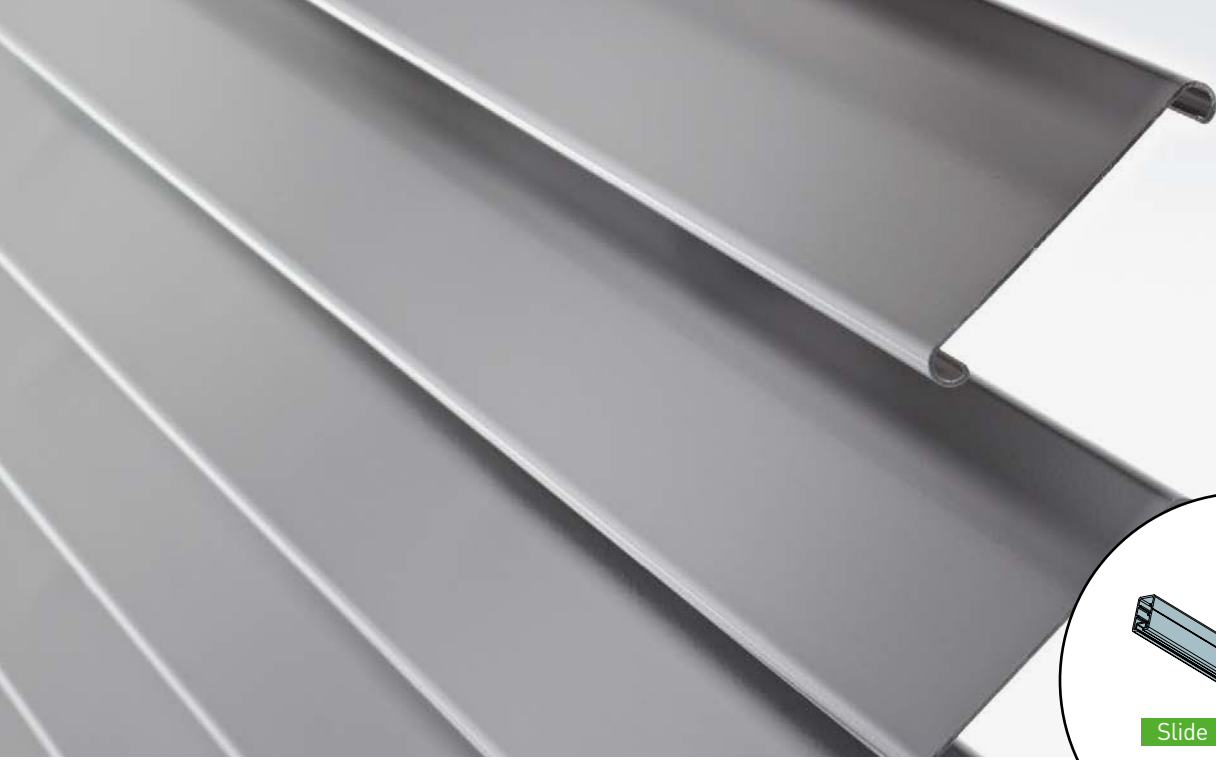
Fitting: Blades in a frame profile



## Vertically

Fitting: Blades vertical, solar shading in the surface of the façade





100C

100D

Slide-click  
system

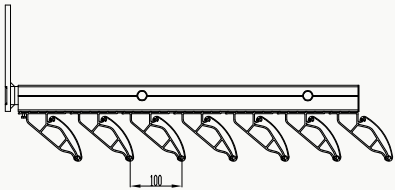
## DucoSun 100 C/100 D

Solar shading with discrete  
'C- or D-shape' louvre blades

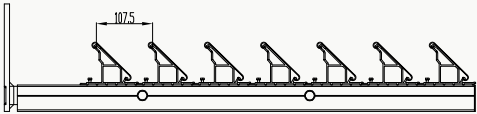
DucoSun 100 C/100 D is an architectural system consisting of modular components with fixed C- or D-blades. Thanks to the patented DUCO "Slide-Click" system, the louvre blades are secured quickly and easily in a fixed angle to the support structure.

- Simple component system
- Louvre blades with discrete C- or "elliptical" D-design
- Quick assembly thanks to the patented "Slide-Click" system
- Large span possible with the 100 D louvre blade
- Specific assembly application in any technical construction situation
- 100 D louvre blades can be finished with end plates

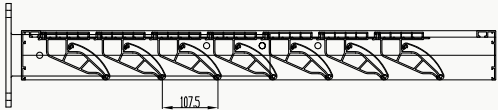




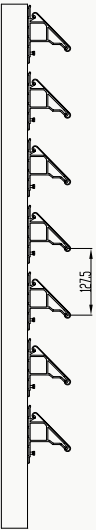
DucoSun 100 D  
underslung



DucoSun 100 C  
overslung



DucoSun 100 D  
framed

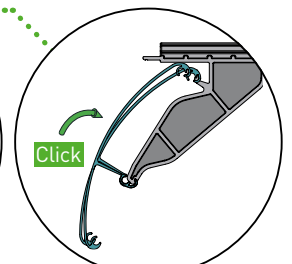
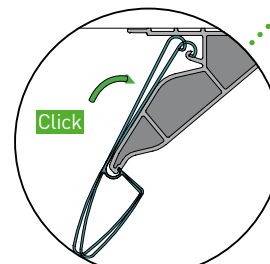
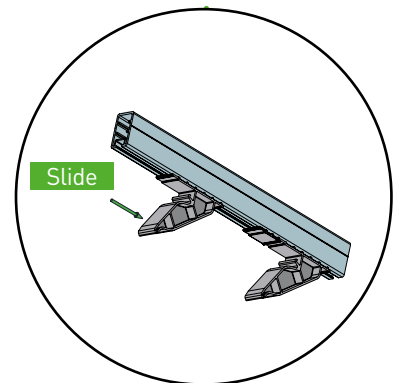
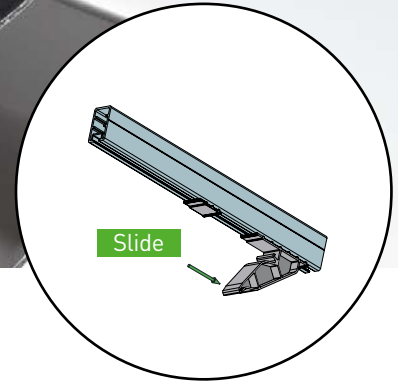


DucoSun 100 C  
vertically

Summary table for DucoSun 100 C / 100 D

|            | Louvre blade end piece                           | Louvre blade spacing | Inclination | Finishing options                         |    |  |
|------------|--|----------------------|-------------|---|----|--|
| Underslung | ALU side plates possible with louvre blade 100 D | 100 mm               | 60°         | plastic stopper                           | or | decorative profile: 150 flat, 175 flat or 90 round |
| Overslung  | ALU side plates possible with louvre blade 100 D | 107,5 mm             | 45°         | plastic stopper                           | or | decorative profile: 150 flat, 175 flat or 90 round |
| Framed     | -  | 107,5 mm             | 45°         | with frame profile: 100 round or 100 flat |    |  |
| Vertically | ALU side plates possible with louvre blade 100 D | 127,5 mm             | 45°         | ✘   |    |  |





150CF

150D

Slide-click system

## DucoSun 150 CF/150 D

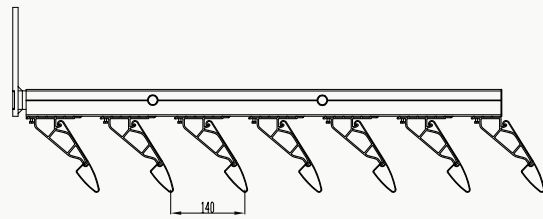
### Solar shading with 'Elliptical' louvre blades

DucoSun 150 CF/150 D is an architectural system consisting of modular components with fixed louvre blades. Thanks to the patented DUCO "Slide-Click" system, the louvre blades are secured quickly and easily in a fixed angle to the support structure.

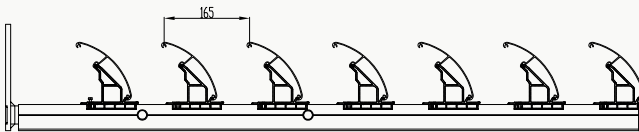
Type 150 CF and 150 D louvre blades combine the functional benefits of the basic 100 C blade with the attractive, elliptical design of the DucoSun Ellipsis blade. The louvre blades are particularly strong. This allows a greater span and fewer support profiles are needed.

- Simple system with modular components
- Louvre blades with attractive, "elliptical" design
- Quick assembly thanks to the patented "Slide-Click" system
- Just like the 150 D louvre blade, the strength of the "CF" blade allows a large span
- Large blade spacing (distance between 2 blades)
- Specific assembly application for any situation
- 150 D louvre blades can be finished with end plates

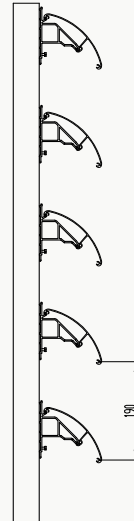




DucoSun 150 CF  
underslung



DucoSun 150 D  
overslung



DucoSun 150 D  
vertically

Summary table for DucoSun 150 CF / 150 D

|            | Louvre blade end piece   | Louvre blade spacing | Inclination | Finishing options |                               |
|------------|--|----------------------|-------------|-------------------|-------------------------------|
| Underslung | <ul style="list-style-type: none"> <li>Plastic stopper for 150CF louvre blade</li> <li>ALU side plates possible with 150 D louvre blade</li> </ul> | 140 mm               | 60°         | plastic stopper   | or decorative frame: 90 round |
| Overslung  | <ul style="list-style-type: none"> <li>Plastic stopper for 150CF louvre blade</li> <li>ALU side plates possible with 150 D louvre blade</li> </ul> | 165 mm               | 45°         | plastic stopper   | or decorative frame: 90 round |
| Vertically | <ul style="list-style-type: none"> <li>Plastic stopper for 150CF louvre blade</li> <li>ALU side plates possible with 150 D louvre blade</li> </ul> | 190 mm               | 45°         | x                 |                               |





## DucoSun Ellips

Town hall | Ternat (Belgium)







# DucoSun Ellips

Solar shading with a choice of seven elliptical louvre blades

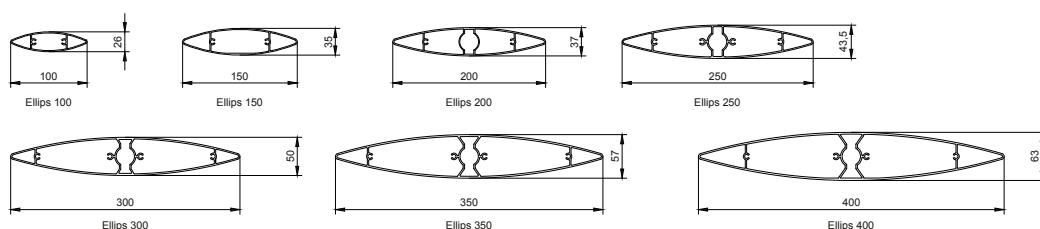
This solar shading system is available with fixed or electronically adjustable louvre blades. These are installed on site to the support structure (horizontal or vertical). Here, many different angles are possible. This enables the system to provide the optimum shade, irrespective of the glass surface area and irrespective of where the sun is coming from.

The elliptical louvre blades ensure a maximum of diffused daylight. They are available in seven sizes: 100 – 150 – 200 – 250 – 300 – 350 – 400. DucoSun Ellips gives the architect a wide choice in the design.

- The elliptical louvre blades ensure a maximum of diffused daylight
- Compact assembly ensures optimum shading
- Choice of 7 louvre blade types
- Wide range of assembly applications

## BASIC COMPONENTS

- Louvre blades

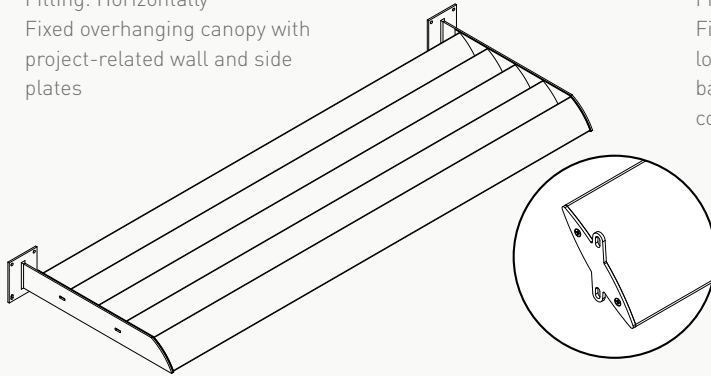




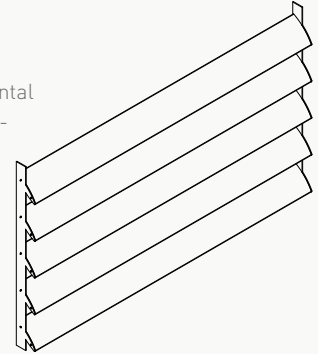
## SYSTEMS

### Intermediate

Fitting: Horizontally  
Fixed overhanging canopy with project-related wall and side plates



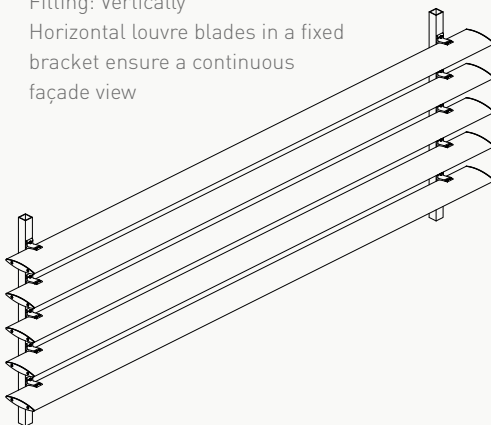
Fitting: Vertically  
Fixed module with horizontal louvre blades and project-based composite plates



Standard side plates also available

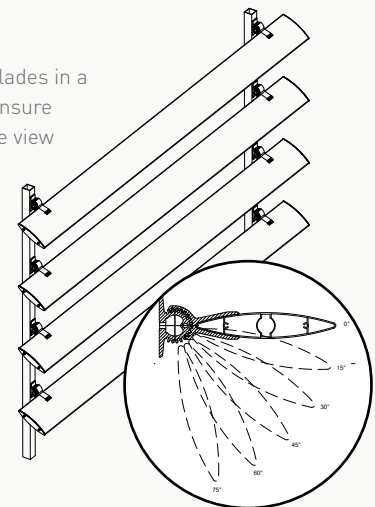
### Unifit

Fitting: Vertically  
Horizontal louvre blades in a fixed bracket ensure a continuous façade view



### Multifit

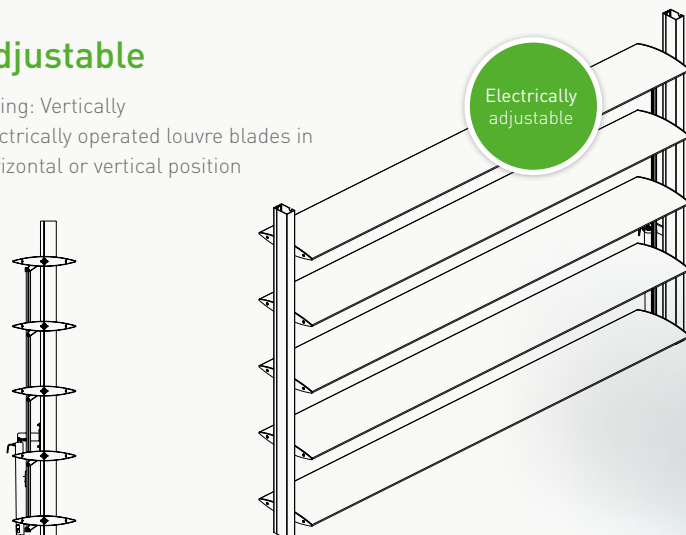
Fitting: Vertically  
Horizontal louvre blades in a base and bracket ensure a continuous façade view



Different angles of inclination

### Adjustable

Fitting: Vertically  
Electrically operated louvre blades in horizontal or vertical position





## DucoSun Cubic

Garage Vereenoghe | Roeselare (Belgium)







# DucoSun Cubic

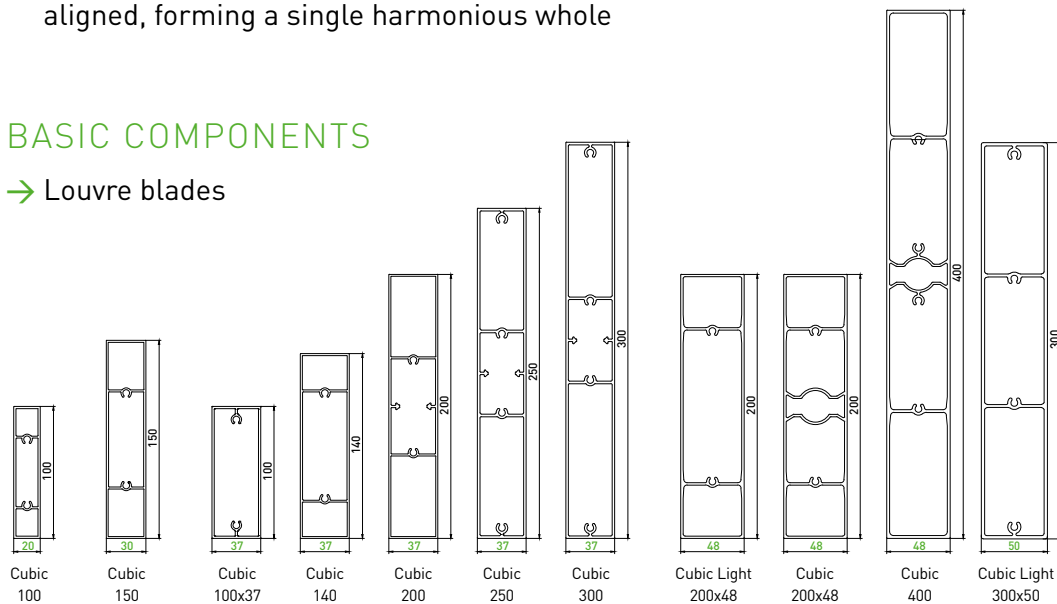
Solar shading with sleek, rectangular louvre blade

The DucoSun Cubic is available with fixed or electronically adjustable louvre blades. These are installed on site to the support structure (horizontal or vertical). Depending on the type, the fixed louvre blades are installed at an angle of 0° or 90°. Together with the rectangular form of the louvre blade this gives a particularly sleek effect. If the electronically adjustable louvre blades are closed, they have an optimum solar shading effect. The rectangular louvre blades ensure a maximum of diffused daylight.

- Sleek, rectangular blade shape
- The closed louvre blades and the façade surface are aligned, forming a single harmonious whole

## BASIC COMPONENTS

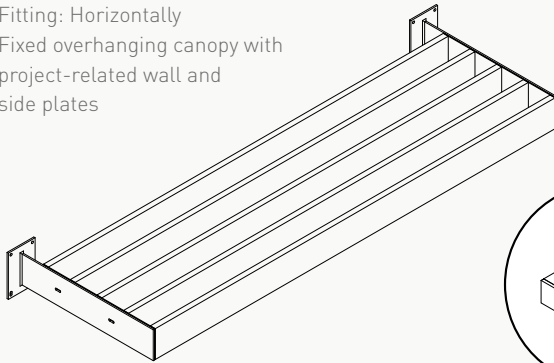
- Louvre blades



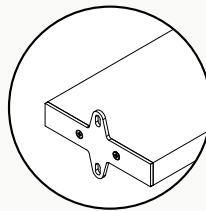
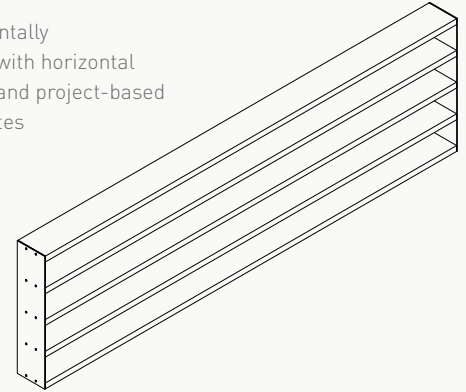
## SYSTEMS

### Intermediate

Fitting: Horizontally  
Fixed overhanging canopy with project-related wall and side plates



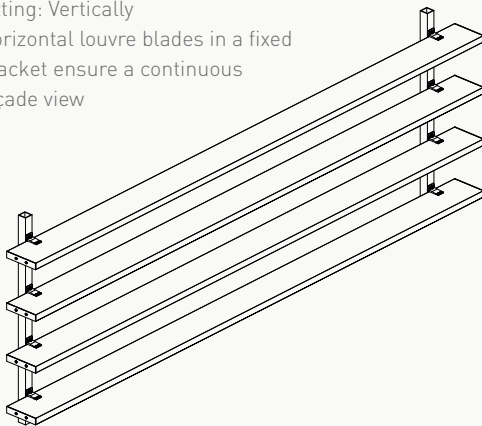
Fitting: Horizontally  
Fixed module with horizontal louvre blades and project-based composite plates



Standard side plates also available

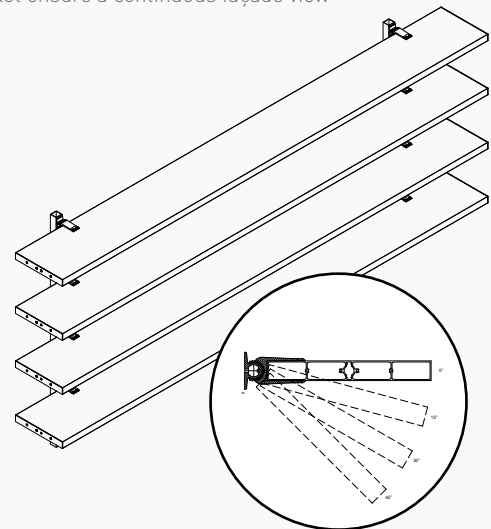
### Unifit

Fitting: Vertically  
Horizontal louvre blades in a fixed bracket ensure a continuous façade view



### Multifit

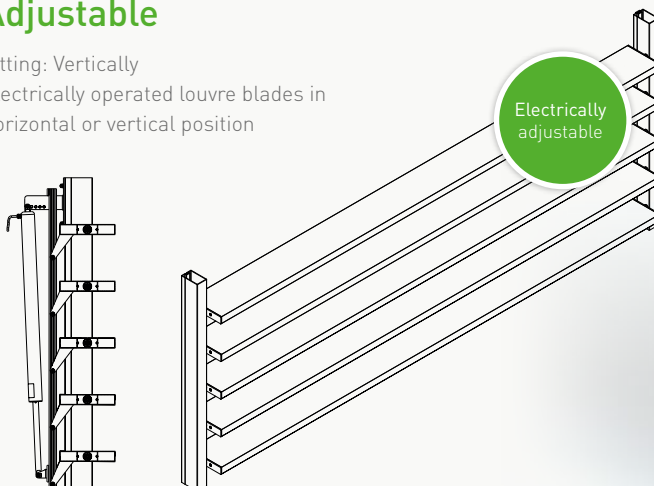
Fitting: Vertically  
Horizontal louvre blades in a base and bracket ensure a continuous façade view



Different angles of inclination

### Adjustable

Fitting: Vertically  
Electrically operated louvre blades in horizontal or vertical position



Electrically adjustable





# DucoSun Linear

Solar shading with louvre blade in the form of a parallelogram

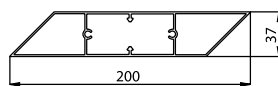
The DucoSun Linear is available with fixed or electrically adjustable louvre blades. These are installed on site to the support structure (horizontal or vertical). The fixed louvre blades are installed at an angle of 45°. Together with the louvre blade, in the form of a parallelogram, this provides a particularly attractive effect. If the electrically adjustable louvre blades are closed, they have an optimum solar shading effect. The closed louvre blades and the façade surface are aligned, forming a single harmonious whole.

The parallelogram-shaped louvre blades ensure a maximum of diffuse daylight. They are available in two sizes: 200 and 300.

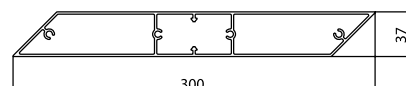
- Very attractive blade shape (parallelogram)
- The closed louvre blades and the façade surface are aligned, forming a single harmonious whole
- 100% solar shading with closed blades

## BASIC COMPONENTS

- Louvre blades



Linear 200

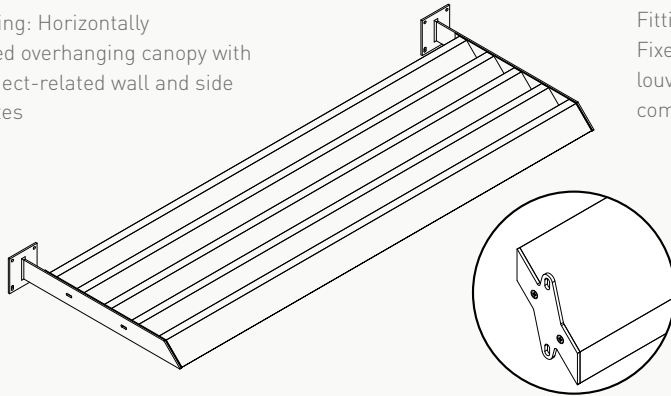


Linear 300

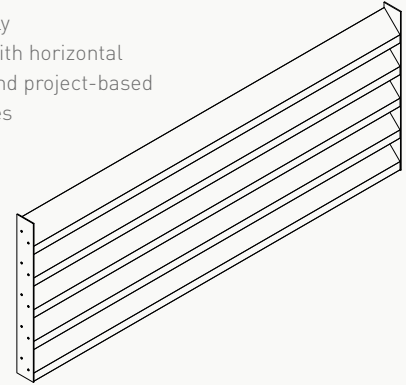
## SYSTEMS

### Intermediate

Fitting: Horizontally  
Fixed overhanging canopy with project-related wall and side plates



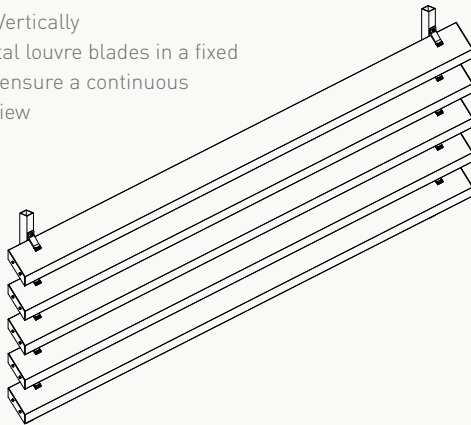
Fitting: Vertically  
Fixed module with horizontal louvre blades and project-based composite plates



Standard side plates also available

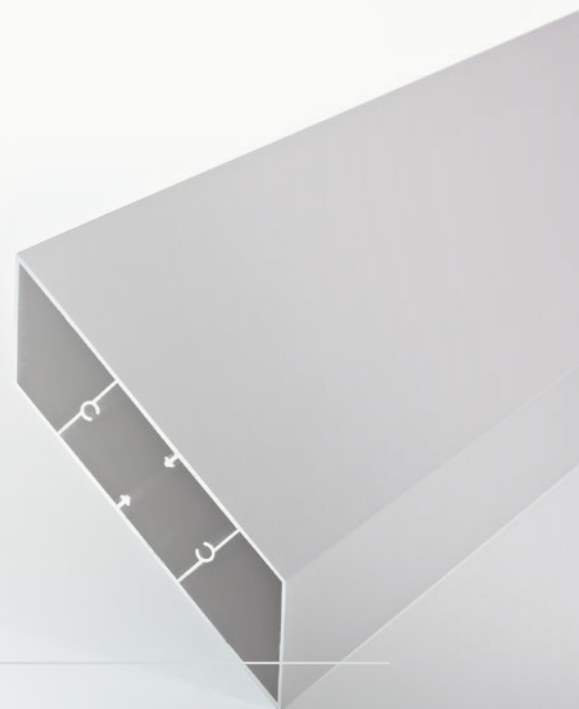
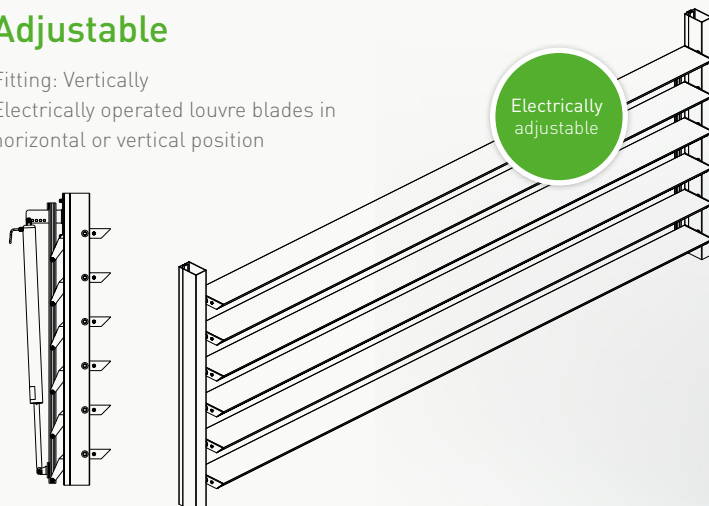
### Unifit

Fitting: Vertically  
Horizontal louvre blades in a fixed bracket ensure a continuous façade view



### Adjustable

Fitting: Vertically  
Electrically operated louvre blades in horizontal or vertical position





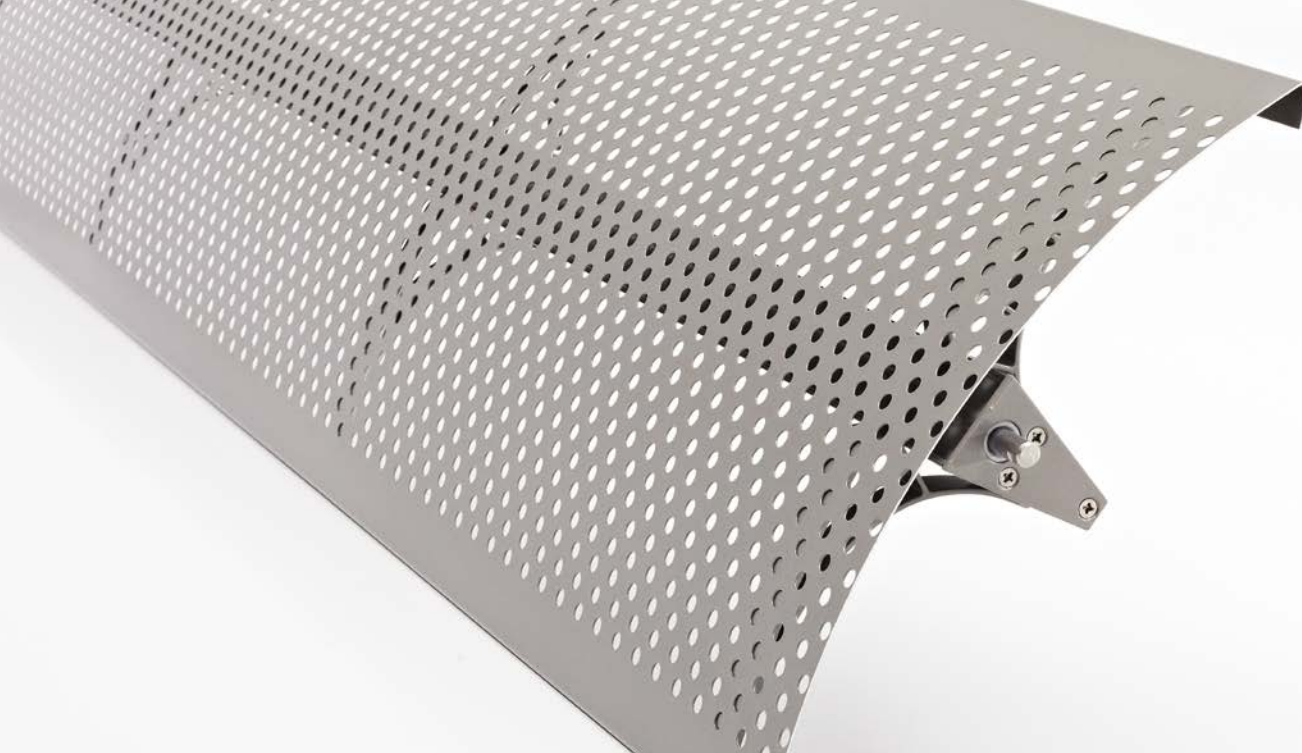


# DucoSun Wing

Power Solutions | Wijnegem (Belgium)







# DucoSun Wing

## Solar shading with fin-shaped louvre blade

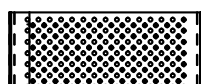
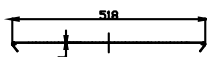
The DucoSun Wing is perforated and thus assures perfect harmony between solar shading and shadow. The fin-shaped louvre blade provides an urban design and, in addition to the standard perforation, is also available in other perforations on request.

The adjustable system can be installed horizontally as well as vertically, thus guaranteeing a maximum level of privacy while still offering sufficient view to the outside for any project.

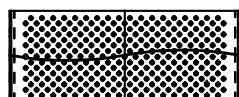
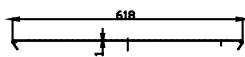
- Large perforated fin-shaped louvre blade (500 mm and 600 mm)
- Optimum balance between sunlight and shading
- Movable system

### BASIC COMPONENTS

- Louvre blades



Wing 500 louvre blade  
Perforated Ø 10 mm



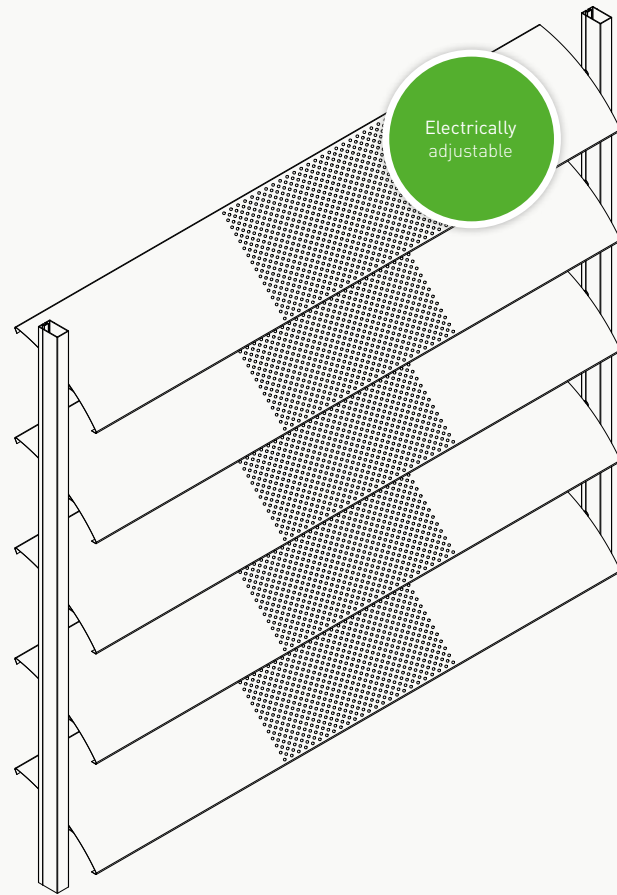
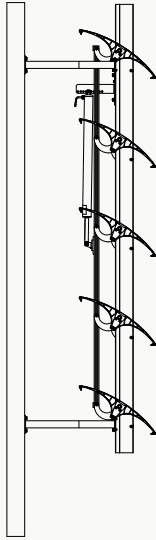
Wing 600 louvre blade  
Perforated Ø 10 mm



## SYSTEMS

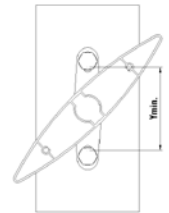
### Adjustable

Fitting: Vertically  
Electrically operated louvre blades in horizontal or vertical position





# MAXIMUM SPAN FOR INTERMEDIATE SYSTEMS:

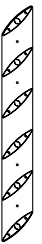


- Situation 1 : Assembly of louvre between two customised composite plates. NB: value applicable to louvre blade span only, no allowance is made for strength and fixing of composite plates.
  - Situation 2 : Assembly of louvre with two DUCO side plates between fixed structure + assembly of louvre with two DUCO side plates with DUCO support profile including use of DUCO washers.
  - Situation 3: Assembly of louvre with two DUCO side plates and support section between fixed structure.
- Values applicable to solar shading aligned with the window only, not valid for cantilevered solar shading.

## DucoSun Ellips

| Louvre     | Angle | Distance Ymin. (mm) (cc. fastenings) | Maximum span (mm) with wind load of |              |              |                    |              |              |                     |              |              |
|------------|-------|--------------------------------------|-------------------------------------|--------------|--------------|--------------------|--------------|--------------|---------------------|--------------|--------------|
|            |       |                                      | 600 Pa (±115 km/h)                  |              |              | 800 Pa (±130 km/h) |              |              | 1250 Pa (±165 km/h) |              |              |
|            |       |                                      | SITUA-TION 1                        | SITUA-TION 2 | SITUA-TION 3 | SITUA-TION 1       | SITUA-TION 2 | SITUA-TION 3 | SITUA-TION 1        | SITUA-TION 2 | SITUA-TION 3 |
| Ellips 100 | 0°    | 40                                   | 3200                                | 3200         | 3200         | 3200               | 3200         | 3200         | 3050                | 3050         | 2850         |
|            | 45°   | 50                                   | 3200                                | 3200         | 3200         | 3200               | 3200         | 3200         | 3200                | 3200         | 3150         |
| Ellips 150 | 0°    | 60                                   | 3900                                | 3900         | 3900         | 3900               | 3900         | 3900         | 3750                | 3750         | 2900         |
|            | 45°   | 80                                   | 3900                                | 3900         | 3900         | 3900               | 3900         | 3900         | 3900                | 3900         | 3300         |
| Ellips 200 | 0°    | 70                                   | 4050                                | 4050         | 3700         | 4050               | 4050         | 3250         | 4050                | 3750         | 2650         |
|            | 45°   | 80                                   | 4050                                | 4050         | 3900         | 4050               | 4050         | 3450         | 4050                | 3950         | 3200         |
| Ellips 250 | 0°    | 110                                  | 4300                                | 4300         | 4050         | 4300               | 4300         | 3550         | 4300                | 4100         | 2900         |
|            | 45°   | 110                                  | 4300                                | 4300         | 4050         | 4300               | 4300         | 3550         | 4300                | 4100         | 2900         |
| Ellips 300 | 0°    | 100                                  | 4600                                | 4600         | 3500         | 4600               | 4350         | 3100         | 4600                | 3550         | 2550         |
|            | 45°   | 140                                  | 4600                                | 4600         | 4100         | 4600               | 4600         | 3600         | 4600                | 4150         | 2950         |
| Ellips 350 | 0°    | 132                                  | 4900                                | 4900         | 3650         | 4900               | 4550         | 3250         | 4900                | 3750         | 2650         |
|            | 45°   | 132                                  | 4900                                | 4900         | 3650         | 4900               | 4550         | 3250         | 4900                | 3700         | 2650         |
| Ellips 400 | 0°    | 110                                  | 5250                                | 4400         | 3150         | 5250               | 3900         | 2750         | 5250                | 3200         | 2300         |
|            | 45°   | 150                                  | 5250                                | 5100         | 3600         | 5250               | 4500         | 3200         | 5250                | 3700         | 2650         |

DucoSun Ellips intermediate



## DucoSun Cubic

| Louvre             | Angle | Distance Ymin. (mm) (cc. fastenings) | Maximum span (mm) with wind load of |              |              |                    |              |              |                     |              |              |
|--------------------|-------|--------------------------------------|-------------------------------------|--------------|--------------|--------------------|--------------|--------------|---------------------|--------------|--------------|
|                    |       |                                      | 600 Pa (±115 km/h)                  |              |              | 800 Pa (±130 km/h) |              |              | 1250 Pa (±165 km/h) |              |              |
|                    |       |                                      | SITUA-TION 1                        | SITUA-TION 2 | SITUA-TION 3 | SITUA-TION 1       | SITUA-TION 2 | SITUA-TION 3 | SITUA-TION 1        | SITUA-TION 2 | SITUA-TION 3 |
| Cubic 100          | 0°    | 54                                   | 3650                                | 3250         | 3250         | 3650               | 3250         | 3250         | 3250                | 3050         | 2850         |
|                    | 45°   | /                                    | /                                   | /            | /            | /                  | /            | /            | /                   | /            | /            |
| Cubic 100 x37      | 0°    | 54                                   | 4950                                | /            | /            | 4950               | /            | /            | 4950                | /            | /            |
| Cubic 140          | 0°    | 54                                   | 3950                                | /            | /            | 3950               | /            | /            | 3950                | /            | /            |
| Cubic 150          | 0°    | 69                                   | 3550                                | 3550         | 3550         | 3550               | 3550         | 3500         | 3550                | 3550         | 2850         |
|                    | 45°   | 109                                  | 3550                                | 3550         | 3550         | 3550               | 3550         | 3550         | 3550                | 3550         | 3550         |
| Cubic 200          | 0°    | 70                                   | 4000                                | 4000         | 3700         | 4000               | 4000         | 3250         | 4000                | 3750         | 2650         |
|                    | 45°   | 98                                   | 4000                                | 4000         | 4000         | 4000               | 4000         | 3850         | 4000                | 4000         | 3100         |
| Cubic 200x48       | 0°    | 150                                  | 4450                                | /            | /            | 4450               | /            | /            | 4450                | /            | /            |
| Cubic Light 200x48 | 0°    | 150                                  | 4550                                | /            | /            | 4550               | /            | /            | 4550                | /            | /            |
| Cubic 250          | 0°    | 90                                   | 4500                                | /            | /            | 4500               | /            | /            | 4500                | /            | /            |
| Cubic 300          | 0°    | 90                                   | 4600                                | 4600         | 3300         | 4600               | 4050         | 2900         | 4600                | 3350         | 2350         |
|                    | 45°   | 110                                  | 4600                                | 4600         | 3700         | 4600               | 4600         | 3250         | 4600                | 3750         | 2650         |
| Cubic 400          | 0°    | 130                                  | 5100                                | 4200         | 3000         | 5100               | 3750         | 2650         | 5100                | 3100         | 2200         |
|                    | 45°   | 150                                  | 5100                                | 4750         | 3400         | 5100               | 4200         | 3000         | 5100                | 3450         | 2450         |
| Cubic Light 300x50 | 0°    | /                                    | 5150                                | /            | /            | 5150               | /            | /            | 5150                | /            | /            |

DucoSun Cubic intermediate



## DucoSun Linear

| Louvre     | Angle | Distance Ymin. (mm) (cc. fastenings) | Maximum span (mm) with wind load of |              |              |                    |              |              |                     |              |              |
|------------|-------|--------------------------------------|-------------------------------------|--------------|--------------|--------------------|--------------|--------------|---------------------|--------------|--------------|
|            |       |                                      | 600 Pa (±115 km/h)                  |              |              | 800 Pa (±130 km/h) |              |              | 1250 Pa (±165 km/h) |              |              |
|            |       |                                      | SITUA-TION 1                        | SITUA-TION 2 | SITUA-TION 3 | SITUA-TION 1       | SITUA-TION 2 | SITUA-TION 3 | SITUA-TION 1        | SITUA-TION 2 | SITUA-TION 3 |
| Linear 200 | 0°    | 70                                   | 4100                                | 4100         | 3700         | 4100               | 4100         | 3300         | 4100                | 3750         | 2650         |
|            | 45°   | 80                                   | 4100                                | 4100         | 4100         | 4100               | 4100         | 3850         | 4100                | 4100         | 3150         |
| Linear 300 | 0°    | 80                                   | 4450                                | 4450         | 3300         | 4450               | 4100         | 2900         | 4450                | 3350         | 2400         |
|            | 45°   | 130                                  | 4450                                | 4450         | 4000         | 4450               | 4450         | 3550         | 4450                | 4050         | 2900         |

DucoSun Linear intermediate



## MAXIMUM SPAN FOR UNIFIT SYSTEMS:

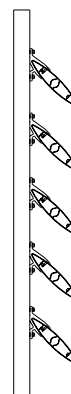
Permanent external solar shading system. The aluminium louvre blades are fastened at a set angle of 0°, 30° or 45° (depending on the type of blade) on aluminium support sections using a "unifit" bracket. The distance between two louvres (blade pitch) depends on the type of louvre and the angle.

Values applicable to solar shading aligned with the window only, not valid for cantilevered solar shading.

### DucoSun Ellips Unifit

| Louvre            | Unifit:    |            | Maximum span (mm) with wind load of |                       |                        |
|-------------------|------------|------------|-------------------------------------|-----------------------|------------------------|
|                   | bracket(°) | width (mm) | 600 Pa<br>(±115 km/h)               | 800 Pa<br>(±130 km/h) | 1250 Pa<br>(±165 km/h) |
| <b>Ellips 100</b> | 0°         | 30         | 2650                                | 2650                  | 2450                   |
| <b>Ellips 150</b> | 0°         | 40         | 3700                                | 3500                  | 3050                   |
|                   | 45°        | 40         | 3700                                | 3700                  | 3400                   |
| <b>Ellips 200</b> | 0°         | 40         | 3900                                | 3750                  | 3300                   |
|                   | 45°        | 40         | 3950                                | 3950                  | 3650                   |
| <b>Ellips 250</b> | 0°         | 40         | 4200                                | 4200                  | 3650                   |
|                   | 30°        | 40         | 4300                                | 4300                  | 3850                   |
|                   | 45°        | 40         | 4300                                | 4300                  | 4100                   |
| <b>Ellips 300</b> | 0°         | 40         | 4500                                | 4050                  | 2700                   |
|                   | 30°        | 40         | 4650                                | 4650                  | 3400                   |
|                   | 45°        | 40         | 4650                                | 4650                  | 3400                   |

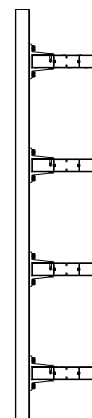
DucoSun Ellips Unifit



### DucoSun Cubic Unifit

| Louvre              | Unifit:    |            | Maximum span (mm) with wind load of |                       |                        |
|---------------------|------------|------------|-------------------------------------|-----------------------|------------------------|
|                     | bracket(°) | width (mm) | 600 Pa<br>(±115 km/h)               | 800 Pa<br>(±130 km/h) | 1250 Pa<br>(±165 km/h) |
| <b>Cubic 100</b>    | 0°         | 30         | 3150                                | 2950                  | 2550                   |
| <b>Cubic 100x37</b> | 0°         | 40         | 4300                                | 4300                  | 3850                   |
| <b>Cubic 140</b>    | 0°         | 40         | 3950                                | 3950                  | 3850                   |
| <b>Cubic 150</b>    | 0°         | 40         | 3550                                | 3550                  | 3300                   |
| <b>Cubic 200</b>    | 0°         | 40         | 4000                                | 4000                  | 3800                   |
| <b>Cubic 250</b>    | 0°         | 40         | 4350                                | 4350                  | 4000                   |
| <b>Cubic 300</b>    | 0°         | 40         | 4400                                | 4200                  | 2800                   |

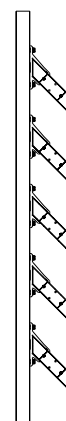
DucoSun Cubic Unifit



### DucoSun Linear Unifit

| Louvre            | Unifit:    |            | Maximum span (mm) with wind load of |                       |                        |
|-------------------|------------|------------|-------------------------------------|-----------------------|------------------------|
|                   | bracket(°) | width (mm) | 600 Pa<br>(±115 km/h)               | 800 Pa<br>(±130 km/h) | 1250 Pa<br>(±165 km/h) |
| <b>Linear 200</b> | 45°        | 40         | 4000                                | 4000                  | 4000                   |
| <b>Linear 300</b> | 45°        | 40         | 4450                                | 4450                  | 3850                   |

DucoSun Linear Unifit



# MAXIMUM SPAN FOR MULTIFIT SYSTEMS:

Permanent external solar shading system. The aluminium louvres are attached at a fixed angle on aluminium support sections using the patented "multifit" system. This consists of a "base" and a "bracket". These two sections are attached by means of teeth. This makes various positions possible in steps of 15°. The distance between two louvres (blade pitch) depends on the type of louvre and the angle.

Values applicable to solar shading aligned with the window only, not valid for cantilevered solar shading.

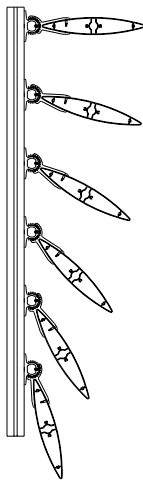
## DucoSun Ellips

| Louvre     | Multifit width (mm) | Maximum span (mm)<br>with wind load of: |                       |                        |              |
|------------|---------------------|---|-----------------------|------------------------|--------------|
|            |                     | 600 Pa<br>(±115 km/h)                   | 800 Pa<br>(±130 km/h) | 1250 Pa<br>(±165 km/h) |              |
| Ellips 100 | 30                  | 3100                                    | 2850                  | 2450                   |              |
| Ellips 200 | 40                  | 3900                                    | 3750                  | 2950                   |              |
| Ellips 250 | 50                  | 4200                                    | 3800                  | 2500                   |              |
| Ellips 300 | 50                  | 3500                                    | 2750                  | 1850                   |              |
| Ellips 350 | 50                  | 2600                                    | 2050                  | 1450                   | Not standard |
| Ellips 350 | 120                 | 4800                                    | 4800                  | 3350                   |              |
| Ellips 400 | 50                  | 2050                                    | 1600                  | 1100                   | Not standard |
| Ellips 400 | 120                 | 4950                                    | 3900                  | 2600                   |              |

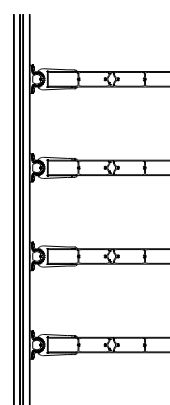
## DucoSun Cubic

| Louvre             | Multifit width (mm) | Maximum span (mm)<br>with wind load of: |                       |                        |              |
|--------------------|---------------------|---|-----------------------|------------------------|--------------|
|                    |                     | 600 Pa<br>(±115 km/h)                   | 800 Pa<br>(±130 km/h) | 1250 Pa<br>(±165 km/h) |              |
| Cubic 200x48       | 50                  | 4450                                    | 4450                  | 4150                   |              |
| Cubic Light 200x48 | 50                  | 4550                                    | 4550                  | 4200                   |              |
| Cubic 400          | 50                  | 2350                                    | 1850                  | 1300                   | Not standard |
| Cubic 400          | 120                 | 4900                                    | 4900                  | 3800                   |              |

DucoSun Ellips  
Multifit



DucoSun Cubic  
Multifit





# MAXIMUM SPAN FOR ADJUSTABLE SYSTEMS:

Values applicable to solar shading aligned with the window only, not valid for cantilevered solar shading.

## DucoSun Ellips

| Louvre            | Maximum span (mm)<br>with wind load of: |                       |                        |
|-------------------|---|-----------------------|------------------------|
|                   | 600 Pa<br>(±115 km/h)                   | 800 Pa<br>(±130 km/h) | 1250 Pa<br>(±165 km/h) |
| <b>Ellips 100</b> | 2250                                    | 2050                  | 1750                   |
| <b>Ellips 150</b> | 2900                                    | 2600                  | 2250                   |
| <b>Ellips 200</b> | 3100                                    | 2850                  | 2450                   |
| <b>Ellips 250</b> | 3300                                    | 3150                  | 2750                   |
| <b>Ellips 300</b> | 3600                                    | 3600                  | 3100                   |
| <b>Ellips 350</b> | 3850                                    | 3850                  | 3450                   |
| <b>Ellips 400</b> | 4100                                    | 4100                  | 3750                   |

## DucoSun Cubic

| Louvre           | Maximum span (mm)<br>with wind load of: |                       |                        |
|------------------|---|-----------------------|------------------------|
|                  | 600 Pa<br>(±115 km/h)                   | 800 Pa<br>(±130 km/h) | 1250 Pa<br>(±165 km/h) |
| <b>Cubic 100</b> | not permitted                           | not permitted         | not permitted          |
| <b>Cubic 150</b> | 3100                                    | 2850                  | 2450                   |
| <b>Cubic 200</b> | 3500                                    | 3300                  | 2850                   |
| <b>Cubic 300</b> | 3500                                    | 3450                  | 3000                   |
| <b>Cubic 400</b> | 3950                                    | 3950                  | 3700                   |

## DucoSun Linear

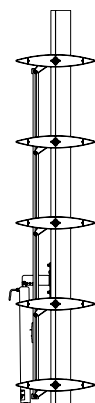
| Louvre            | Maximum span (mm)<br>with wind load of: |                       |                        |
|-------------------|---|-----------------------|------------------------|
|                   | 600 Pa<br>(±115 km/h)                   | 800 Pa<br>(±130 km/h) | 1250 Pa<br>(±165 km/h) |
| <b>Linear 200</b> | 3450                                    | 3150                  | 2700                   |
| <b>Linear 300</b> | 3450                                    | 3350                  | 2900                   |

## DucoSun Wing

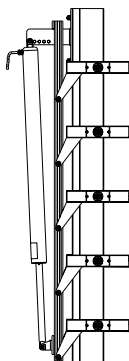
| Louvre          | Maximum span (mm)<br>with wind load of: |                       |                        |
|-----------------|---|-----------------------|------------------------|
|                 | 600 Pa<br>(±115 km/h)                   | 800 Pa<br>(±130 km/h) | 1250 Pa<br>(±165 km/h) |
| <b>Wing 500</b> | 4650                                    | 4250                  | 3750                   |
| <b>Wing 600</b> | 4550                                    | 4150                  | 3400                   |

Table is valid for perforated louvres.

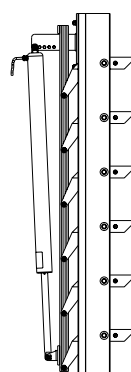
DucoSun Ellips  
adjustable



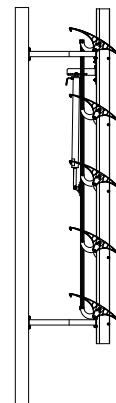
DucoSun Cubic  
adjustable



DucoSun Linear  
adjustable



DucoSun Wing  
adjustable





## DucoSlide Wood

Livingstone | Brussels (Belgium)







# DUCOSLIDE

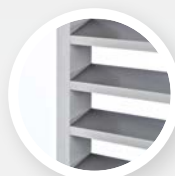
## ALUMINIUM SLIDING PANELS

DUCO also developed architectural solar shading in sliding panels. The DucoSlide range consists of aluminium frames holding wooden or aluminium louvre blades. Thanks to the wide selection of louvre blades, the architect or client always has a large choice that will undoubtedly fit any project. In addition, these frames can be moved either manually or electronically.

The aluminium frames can slide completely across the windows on a rail, for an optimum balance between shading and daylight. Thanks to the different sliding systems - simple, symmetrical, telescopic or BiFold - the panels can also be slid completely away from the window.

### → DucoSlide LuxFrame

External solar shading systems in which the aluminium louvre blades are attached to a frame. Choose from three different types of louvre blade.



40/40 frame profile



40/80 frame profile



45/130 frame profile

### → DucoSlide SlimFrame

External solar shading systems in which the aluminium louvre blades are secured between discrete side profiles.



5/40 frame profile



5/80 frame profile

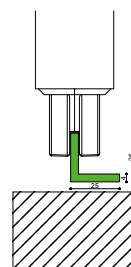
### → Material

- > **Aluminium:** EN AW – 6063 T66
- > **Surface treatment:**  
Anodised in natural as standard (15-20 µm) (VB6/A20/VOM1)  
Enamelled polyester powder coating (60-80 µm)

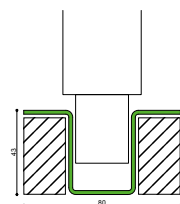
### → Operation

All types of DucoSlide in this brochure can be operated both manually and electrically (except Bifold). Contact your DUCO adviser for more information.

DUCO has a new adjustable system for coping with variable heights, the 'Vario'



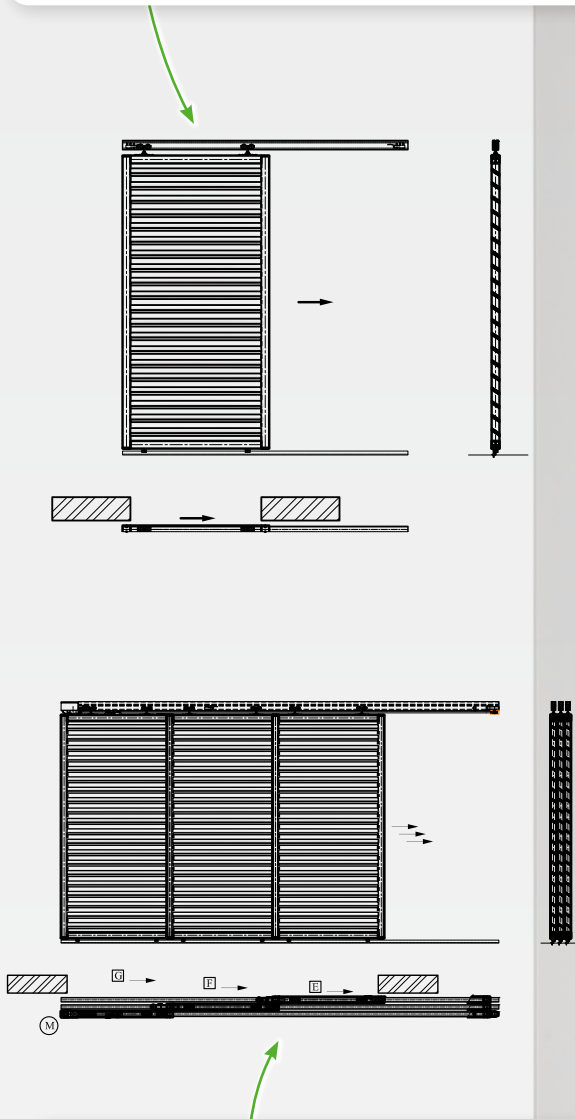
BOTTOM RAIL  
SURFACE  
MOUNTED



BOTTOM RAIL  
RECESSED

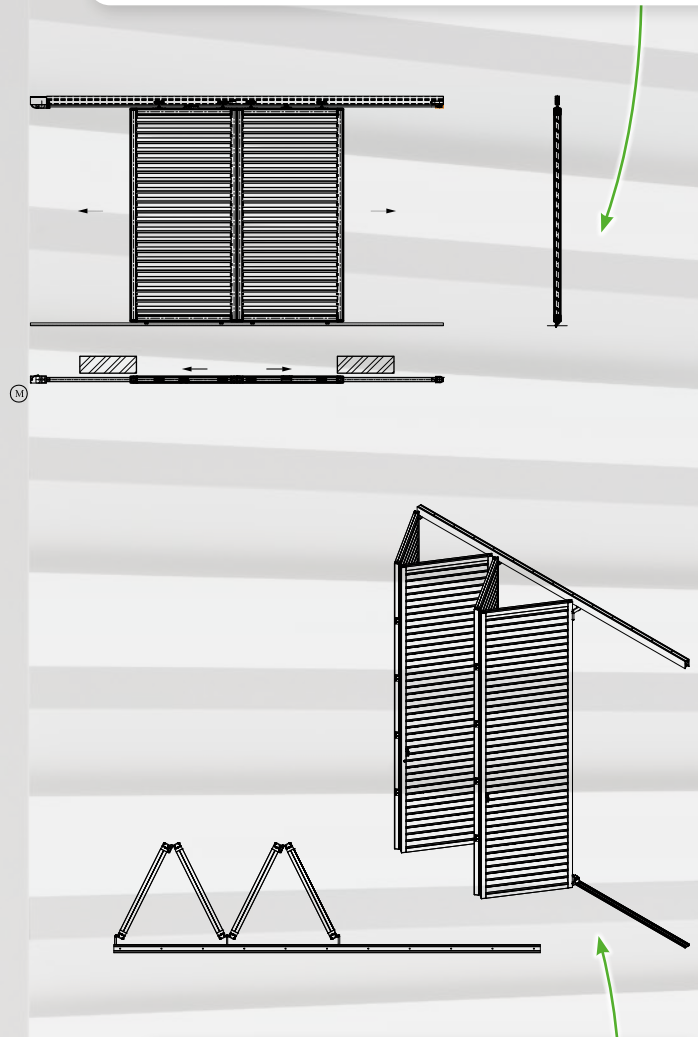
## → Single sliding system

Independently operated individual panels.



## → Symmetrical sliding system

Two connected panels that slide symmetrically away from or towards each other.



## → Telescopic sliding system

Two or three panels linked together in succession that extend telescopically.

## → Finish

Each type of solar shading is available in any colour: **SAA, every RAL colour, textured paint, special paints/lacquers, etc.** Every type of solar shading is lacquered as standard in **SeaSide** grade. In addition, every type of solar shading in this folder complies with the **Qualicoat** and **Qualanod** quality specifications.



## → BiFold/QuadraFold folding system

Two or four folding panels are integrated into a whole that can be slid fully away. This creates a clear-cut aesthetic difference between the open and closed positions.

## → Dimensions

The maximum dimensions of the frame of the DucoSlide sliding panels depend on the type used, as well as the specific project. Contact DUCO to determine the dimensions for your project.





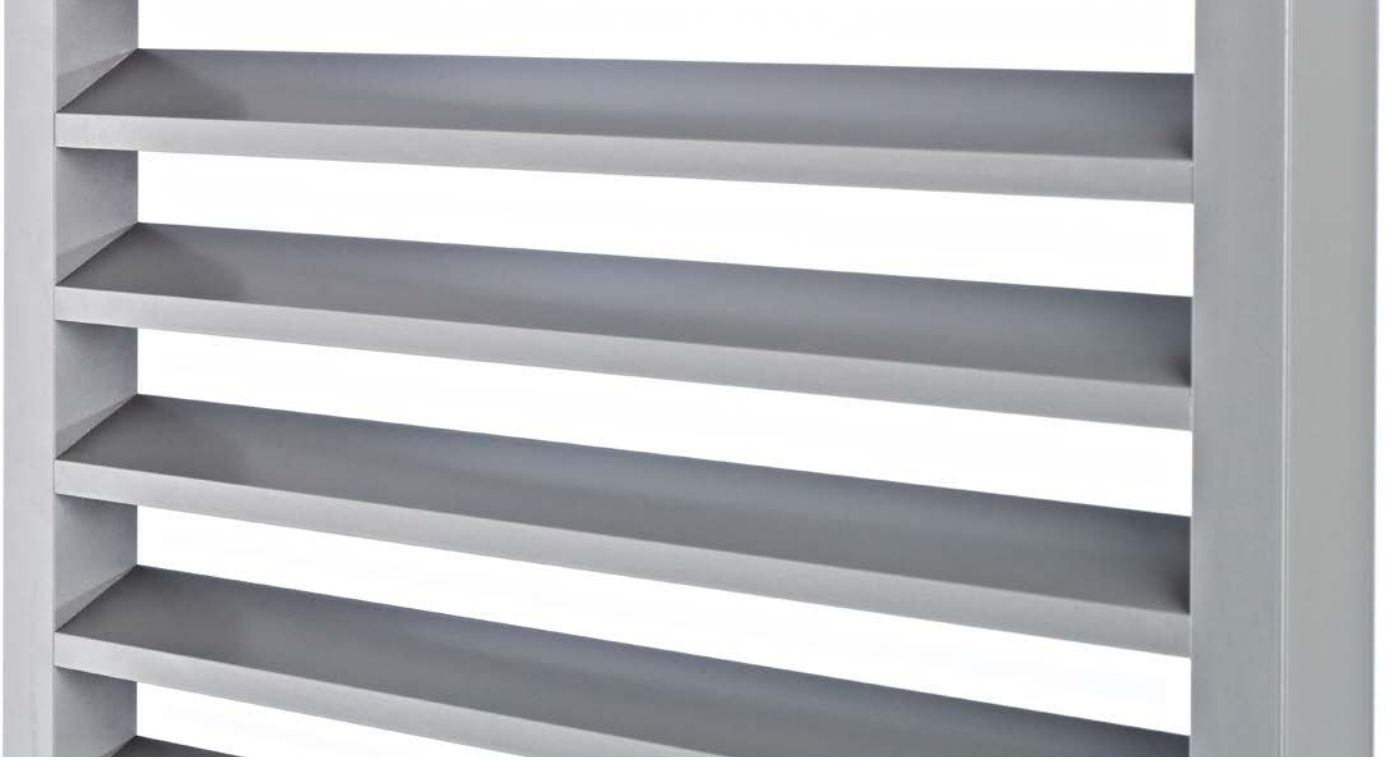
## DucoSlide Slim Frame

Residence | Brussels (Belgium)









# DucoSlide LuxFrame

(40/40 frame profile)

The DucoSlide LuxFrame 40/40 is a permanent external solar shading system with sliding panels. In this type, the different louvre blades are incorporated into a robust frame profile.

## Frame types

- > DucoSlide LuxFrame with 40/40 frame profile and fixed louvre blades

## Sliding systems

- > Single, symmetrical or telescopic

## Folding systems

- > BiFold and QuadraFold  
(except louvre types 30Z and 40Z)

- Maximum degree of privacy
- Various louvre blade sizes
- Manually or electrically operated
- Available in aluminium and wooden louvre blades

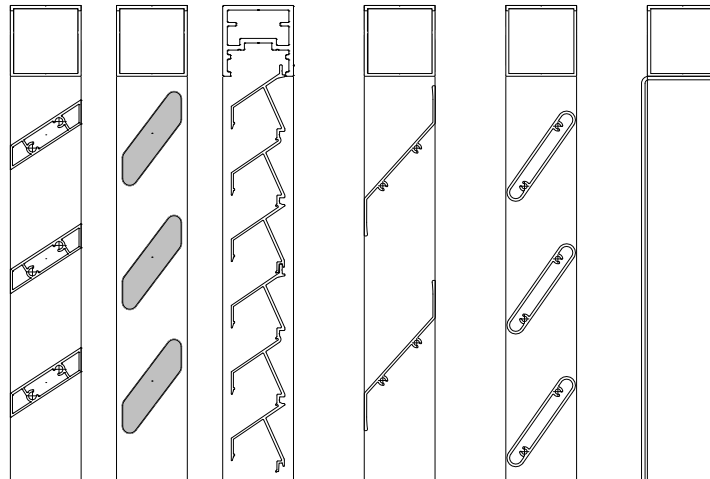


## TYPES OF LOUVRE BLADE



|                           | Linear 55 | Lux 40 Wood | 30Z | 40Z | 60F | Perfo |
|---------------------------|-----------|-------------|-----|-----|-----|-------|
| LuxFrame 40/40            | ✓         | ✓           | ✓   | ✓   | ✓   | ✓     |
| Louvre blade height (mm)  | 39        | 53          | 38  | 85  | 51  | ✗     |
| Louvre blade spacing (mm) | 70        | 70          | 38  | 110 | 75  | ✗     |
| Louvre blade angle        | 33°       | 53°         | 34° | 48° | 55° | ✗     |

## SECTIONAL DRAWINGS



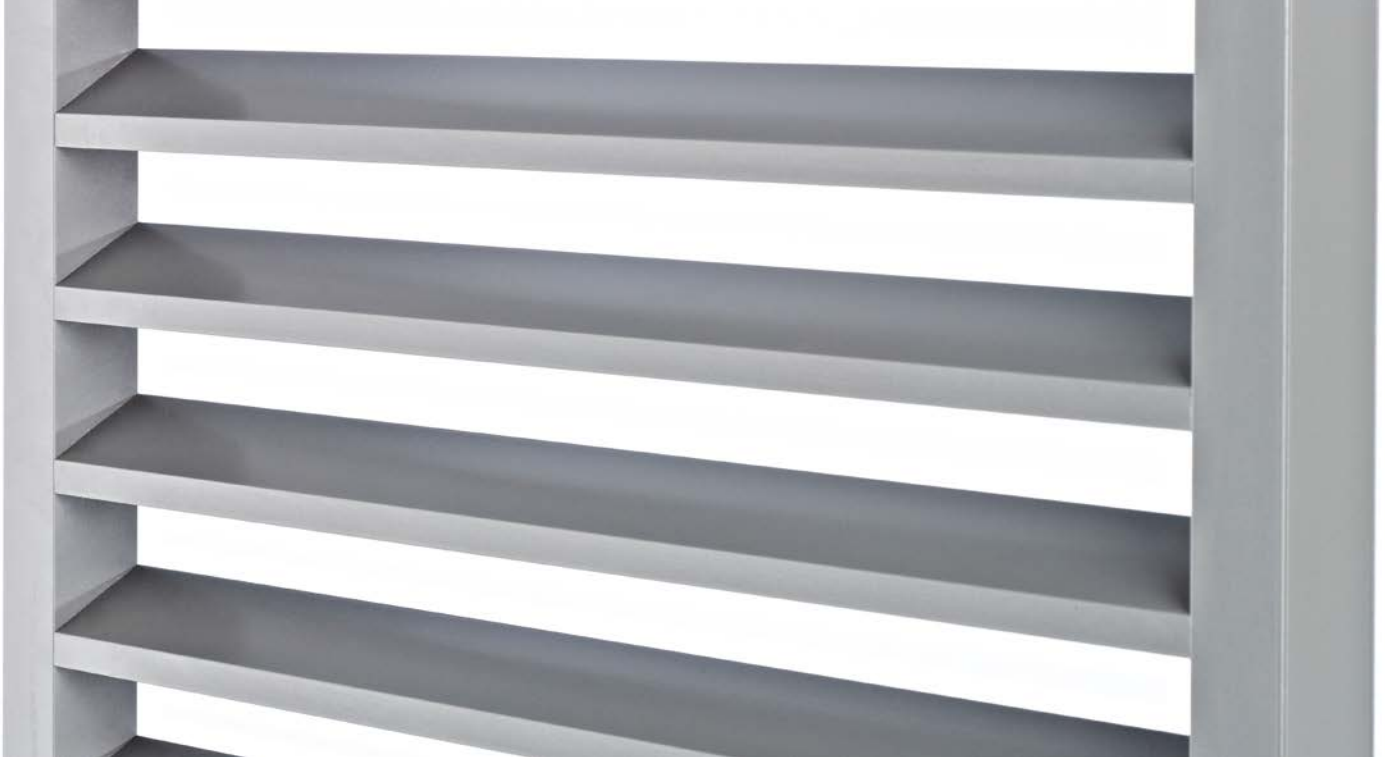
Linear 55    Lux 40 Wood    30Z    40Z    60F    Perfo

### → DucoSlide Wood

DucoSlide Wood gives any façade a special aesthetic touch thanks to the perfect symbiosis of wood and aluminium. The wooden blades are installed invisibly within the aluminium frame and are also **quarter-cut**. This not only ensures more robust blades, but also prevents deformation. This feature, together with the sustainable and resilient **Western Red Cedar** wood (which also affords excellent protection against rot and weathering), the light weight and narrow panel width, makes DucoSlide Wood the perfect architectural solar shading system.







# DucoSlide LuxFrame

(40/80 & 45/130 frame profiles)

DucoSlide LuxFrame 40/80 & 45/130 are permanent external solar shading systems with sliding panels. In these types, the different louvre blades are incorporated into a robust frame profile.

## Frame types

- > DucoSlide LuxFrame with 40/80 frame profile and fixed or adjustable louvre blades
- > DucoSlide LuxFrame with 45/130 frame profile and fixed louvre blades

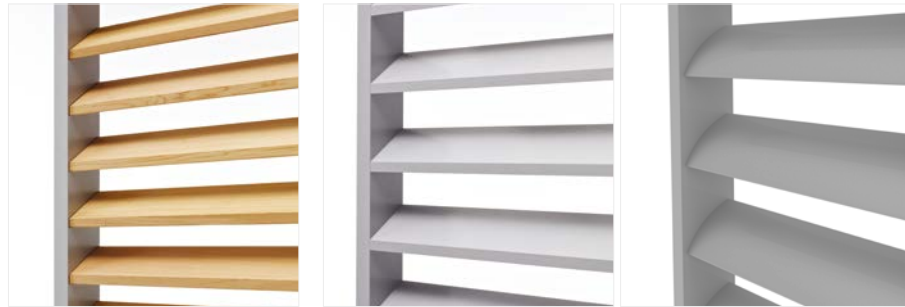
## Sliding systems

- > Single, symmetrical or telescopic

- Maximum degree of privacy
- Various louvre blade sizes
- Manually or electrically operated
- Available in aluminium and wooden louvre blades

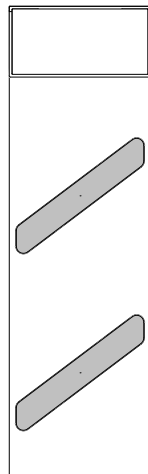


## TYPES OF LOUVRE BLADE

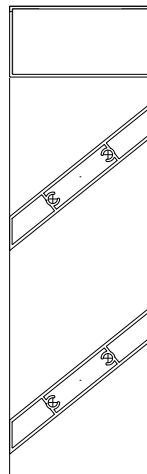


|                           | Lux 80 Wood | Linear 115 | Ellips 150 |
|---------------------------|-------------|------------|------------|
| LuxFrame 40/80            | ✓           | ✓          | ✗          |
| LuxFrame 45/130           | ✗           | ✗          | ✓          |
| Louvre blade height (mm)  | 65          | 83         | 108        |
| Louvre blade spacing (mm) | 100         | 145        | 190        |
| Louvre blade angle        | 37°         | 39°        | 45°        |

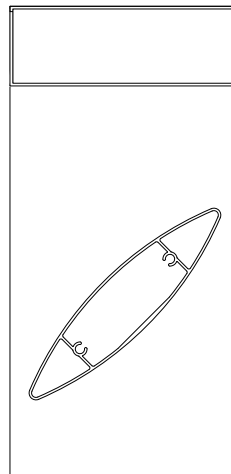
## SECTIONAL DRAWINGS



Lux 80 Wood



Linear 115



Ellips 150

### → DucoSlide Wood

DucoSlide Wood gives any façade a special aesthetic touch thanks to the perfect symbiosis of wood and aluminium. The wooden blades are installed invisibly within the aluminium frame and are also **quarter-cut**. This not only ensures more robust blades, but also prevents deformation. This feature, together with the sustainable and resilient **Western Red Cedar** wood (which also affords excellent protection against rot and weathering), the light weight and narrow panel width, makes DucoSlide Wood the perfect architectural solar shading system.





## DucoSlide

DijleDelta | Leuven (Belgium)







# DucoSlide SlimFrame

(5/40 & 5/80 frame profiles)

DucoSlide SlimFrame is a permanent external solar shading system with sliding panels. Here, the louvre blades are installed at a fixed angle between the aesthetically refined and discrete side profiles.

## Frame types

- > DucoSlide SlimFrame with 5/40 frame profile and fixed louvre blades
- > DucoSlide SlimFrame with 5/80 frame profile and fixed louvre blades

## Sliding systems

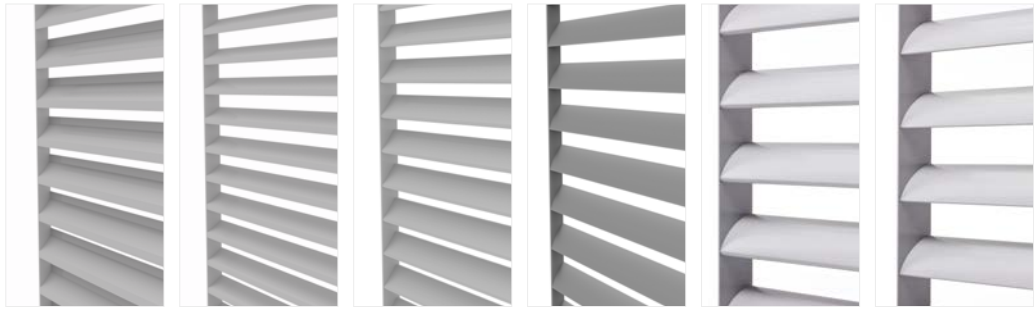
- > Single, symmetrical or telescopic

- Maximum degree of privacy
- Various louvre blade sizes
- Manually or electrically operated



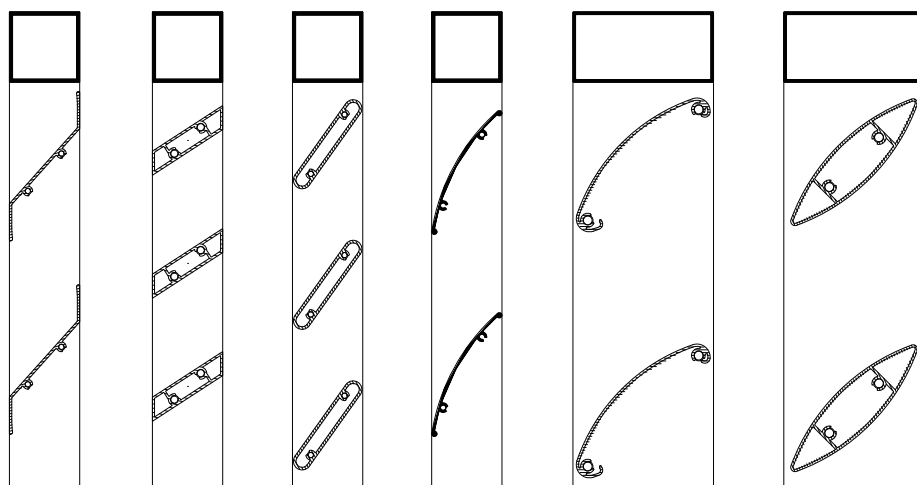


## TYPES OF LOUVRE BLADE



|                           | 40Z | Linear 55 | 60F | 80D  | 100D | Ellips 100 |
|---------------------------|-----|-----------|-----|------|------|------------|
| SlimFrame 5/40            | ✓   | ✓         | ✓   | ✓    | ✗    | ✗          |
| SlimFrame 5/80            | ✗   | ✗         | ✗   | ✗    | ✓    | ✓          |
| Louvre blade height (mm)  | 85  | 39        | 51  | 70,4 | 76   | 72         |
| Louvre blade spacing (mm) | 110 | 70        | 75  | 100  | 140  | 140        |
| Louvre blade angle        | 48° | 33°       | 55° | 61°  | 45°  | 45°        |

## SECTIONAL DRAWINGS



40Z

Linear 55

60F

80D

100D

Ellips 100



## DucoSlide

Office building KBC | Mechelen (Belgium)



# SERVICE PLEASE!

To provide optimum support for your project, you will find professional **sectional drawings**, **technical data sheets**, **specification texts** and **assembly instructions** on our website:

[www.duco.eu](http://www.duco.eu). Find out what else DUCO can do for you.



**Do you have a project?** → DUCO's project team will be happy to assist you in making a responsible and correct choice for solar shading in your specific projects. Among other things, the team uses its own software for the necessary calculations such as calculating strength, the correct spans and the attachment to the support structure. In addition, the ideal shadowing angles are calculated. Allowance is also made for the orientation of the façade, the path of the sun, etc.

**BIM library** → [www.duco.eu/bim](http://www.duco.eu/bim)

All products in this library are freely available in Autodesk Revit.

**Specification texts** → You will find specification texts for all products on our website [www.duco.eu](http://www.duco.eu).



## TAILORED ADVICE

DUCO offers tailored expertise & services for specifiers, and has a dedicated unit to advise and support architects, engineering offices and consultancies. DUCO works with reputable organisations such as the WTCB, the von Karman Institute, etc. DUCO's knowledge and years of experience enable an appropriate solution to be offered for each of your projects.

**Any questions? Please contact us at [info@duco.eu](mailto:info@duco.eu) or call +32 58 33 00 66 to for tailored advice!**



A **SOLUTION**  
FOR EVERY  
PROJECT

**DUCO**